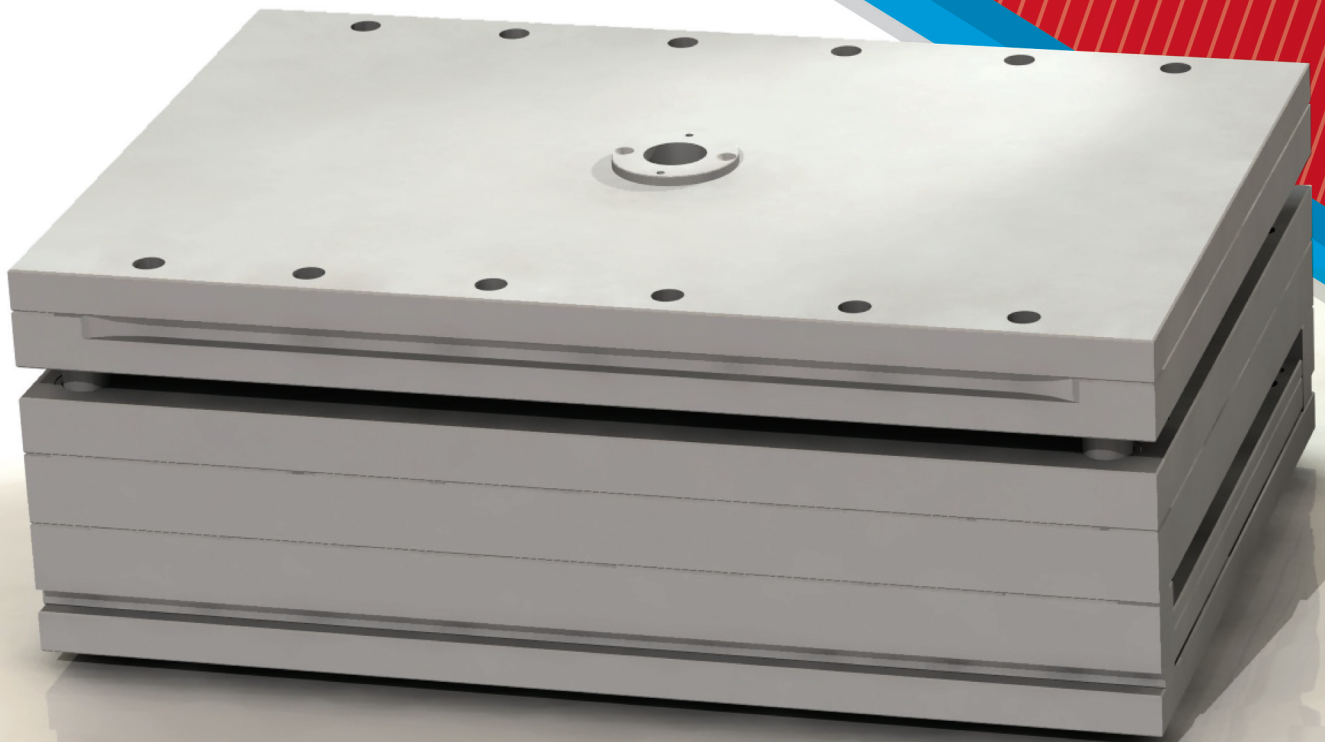




# MOLD BASES





Click here to return to the **Table of Contents**



Click here for **3D CAD Link**

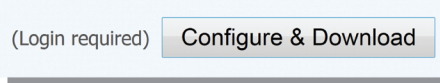


Quick link to **Main Website**

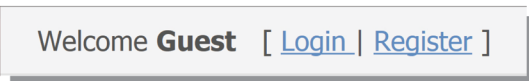
**Note:** When viewing the electronic version, simply click on the image in the right hand corner, and the link will automatically take you to 3D CAD Link.

**To use 3D CAD Link:**

Click on the **Configure & Download Button**



Login to your account

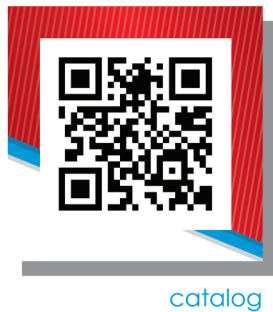


Finish your product configuration

**900 West Drexel Avenue  
Oak Creek, WI 53154**

**(800) 558-6040  
FAX (800) 657-0855**

**www.superiordieset.com  
messages@superiordieset.com**



Quick link to **Master Catalog**



Quick link to **3D CAD Link**



Quick link to **Videos**





# TABLE OF CONTENTS

## MOLD BASE PRODUCT LINE

MOLD BASE SERIES	PAGE
A SERIES .....	2010
B SERIES .....	2020
V SERIES .....	2030
T SERIES .....	2040
X-5 SERIES .....	2050
X-6 SERIES .....	2060
CAVITY RETAINERS .....	2070

<b>STEEL TYPES</b> .....	2080
--------------------------	------

STANDARD MOLD PLATE CHART	
MOLD PLATES (TOP, A, B, X PLATES ...)	2090
RISER, RETAINER & EJECTOR .....	2100

RETURN PIN LOCATIONS	
OUTBOARD .....	2110
INBOARD .....	2120

GUIDED EJECTOR SYSTEM	
GUIDED EJECTOR - TYPES .....	2130
GUIDED EJECTOR - LOCATIONS .....	2140

<b>CLAMPING SLOTS</b> .....	2150
-----------------------------	------

<b>BE FAST™</b> .....	2160
-----------------------	------

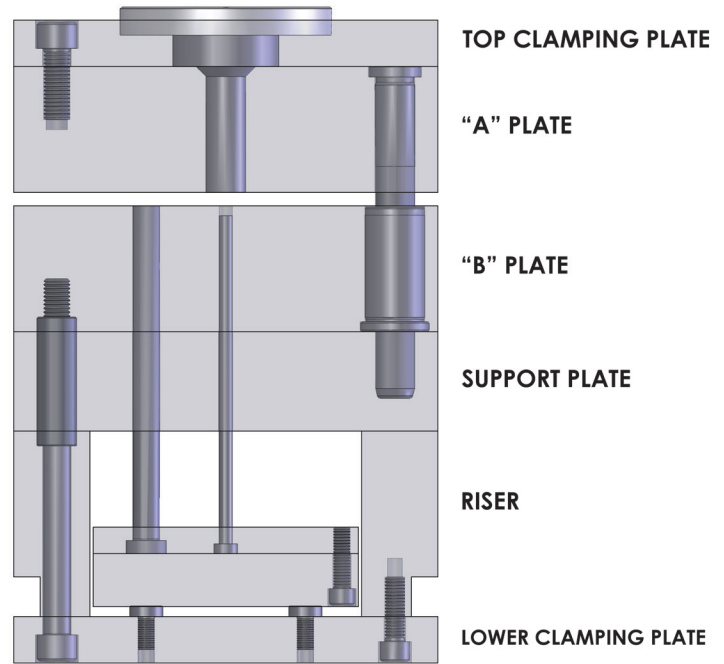
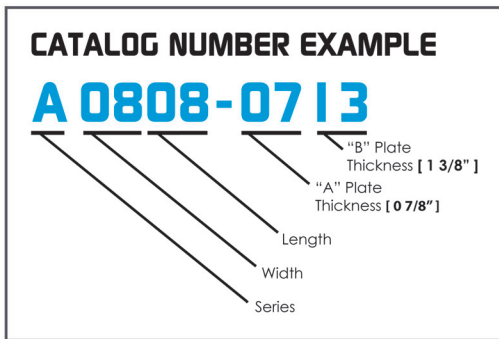


# A SERIES MOLD BASES

This is a standard in the industry that suits a variety of applications. These mold base assemblies lend themselves to through pocket machining.

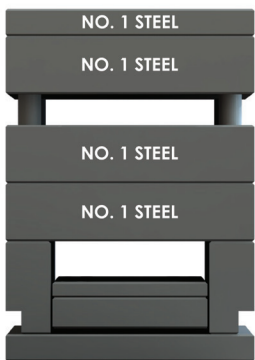
**WHEN ORDERING PLEASE SPECIFY:**

1. Quantity and Catalog Number
2. Steel Type
3. Locating Ring Catalog Number
4. C, E, O, R Dimensions
5. Top Clamp Plate Thickness and Slot Method
6. Inboard or Outboard Return Pin Location



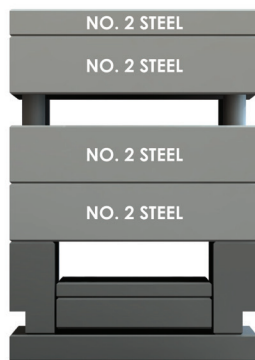
See 'Standard Mold Plates' Chart for available sizes

## STANDARD STEEL TYPES



**NO.1 STEEL ASSEMBLY**

TOP CLAMPING PLATE  
"A" PLATE  
"B" PLATE  
SUPPORT PLATE



**NO.2 STEEL ASSEMBLY**

TOP CLAMPING PLATE  
"A" PLATE  
"B" PLATE  
SUPPORT PLATE



**NO.3 STEEL ASSEMBLY**

TOP CLAMPING PLATE  
"A" PLATE  
"B" PLATE  
SUPPORT PLATE



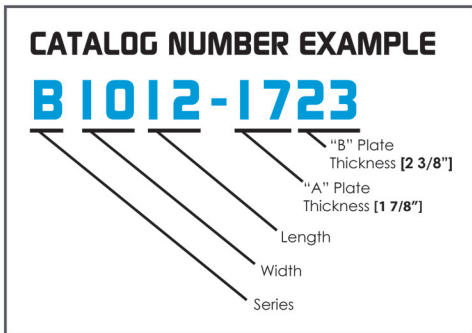
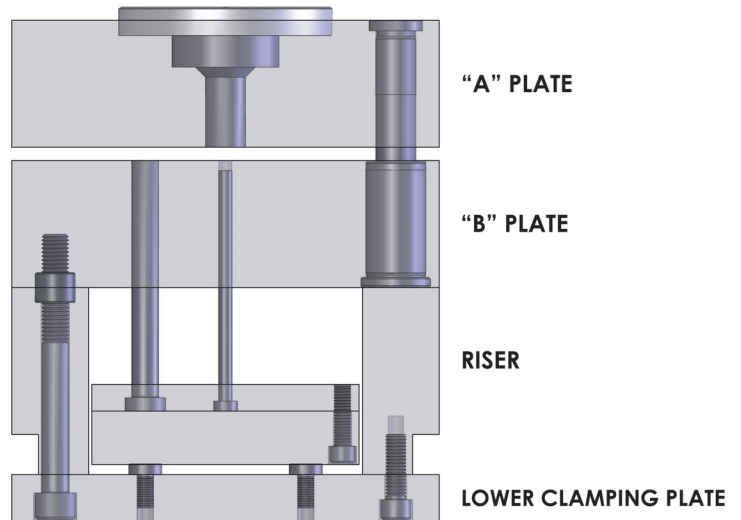


# B SERIES MOLD BASES

This popular series does not have top or support plates and is suited for blind pockets. It is also specified when machining cavity/core geometry directly into A/B plates.

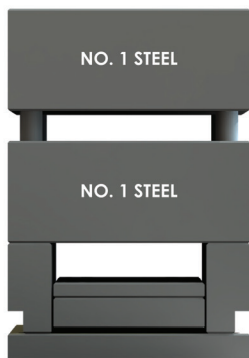
**WHEN ORDERING PLEASE SPECIFY:**

1. Quantity and Catalog Number
2. Steel Type
3. Locating Ring Catalog Number
4. C, E, O, R Dimensions
5. Top Clamp Slot Method
6. Inboard or Outboard Return Pin Location



See 'Standard Mold Plates' Chart for available sizes

## STANDARD STEEL TYPES



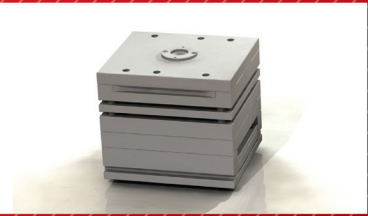
**NO.1 STEEL ASSEMBLY**



**NO.2 STEEL ASSEMBLY**



**NO.3 STEEL ASSEMBLY**

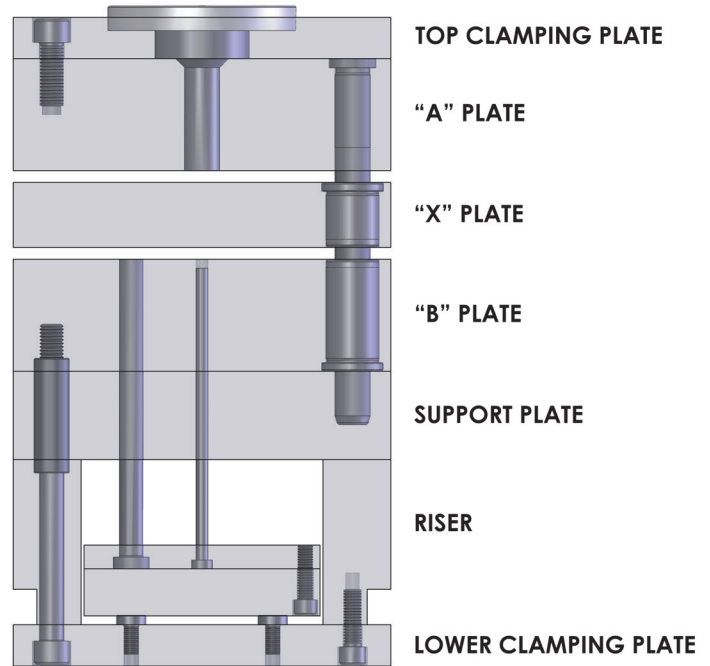
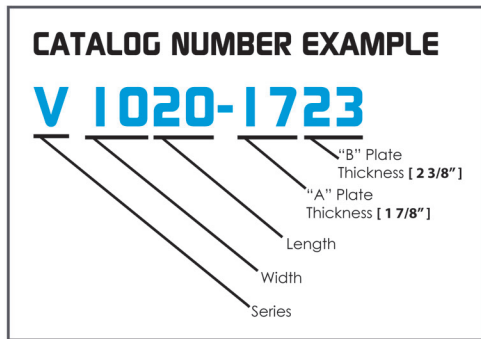


# V SERIES MOLD BASES

The "V" Series Mold Bases feature a Stripper Plate ("X") located between the "A" and "B" Plates. Based from the "A" Series (pins in "A" Plate), "X" Plate will remain with stationary side.

**WHEN ORDERING PLEASE SPECIFY:**

1. Quantity and Catalog Number
2. Steel Type
3. Locating Ring Catalog Number
4. C, E, O, R Dimensions
5. "X" Plate Thickness
6. Top Clamp Plate Thickness and Slot Method
7. Inboard or Outboard Return Pin Location



See 'Standard Mold Plates' Chart for available sizes

## STANDARD STEEL TYPES



**NO.1 STEEL ASSEMBLY**



**NO.2 STEEL ASSEMBLY**



**NO.3 STEEL ASSEMBLY**





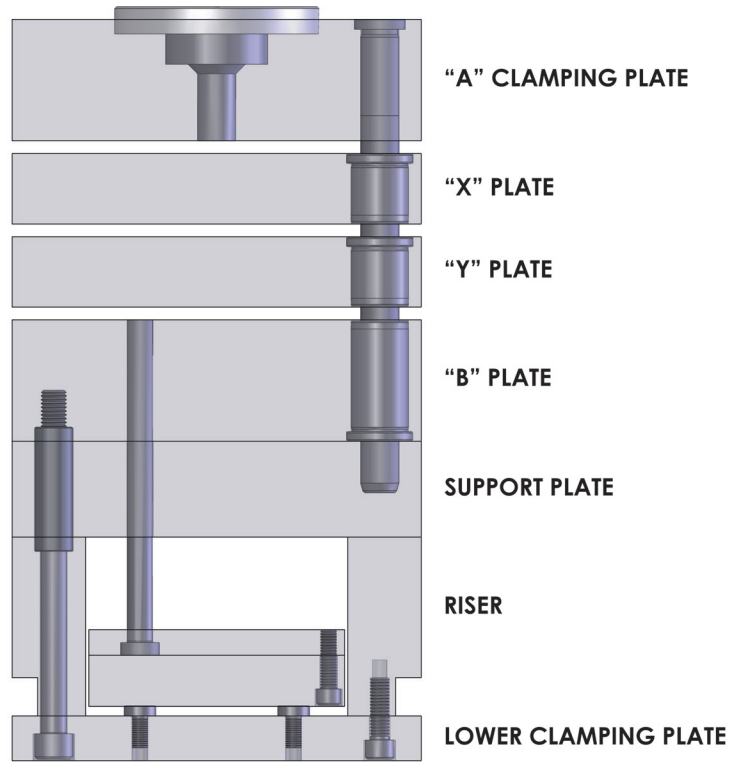
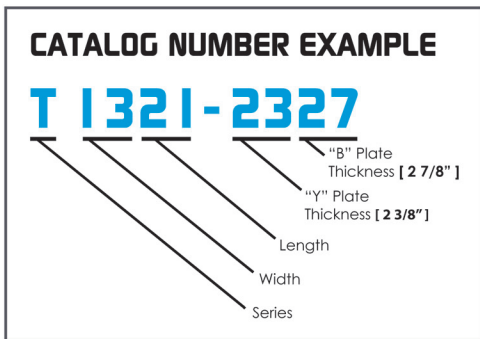
# T SERIES MOLD BASES

The '3-Plate' design is typically used on top runner molds when two floating plates are required. The "X", "Y" and "B" Plates are available in any thickness you specify.

### WHEN ORDERING PLEASE SPECIFY:

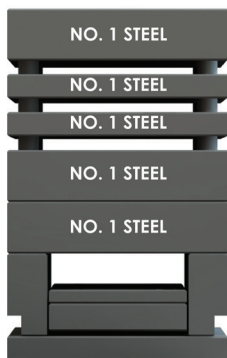
- Quantity and Catalog Number
- Steel Type
- Locating Ring Catalog Number
- C, E, O, R Dimensions
- "X" Plate Thickness
- Leader Pin Length
- Top Clamp Slot Method
- Inboard or Outboard Return Pin Location

**NOTE:**  
 1. "A" Clamp Plate Thickness  
 1 7/8" for Bases  
 7 7/8" x 7 7/8" thru 19 1/2" x 35 1/2"  
 2 3/8" for Bases  
 23 3/4" x 23 3/4" thru 23 3/4" x 35 1/2"



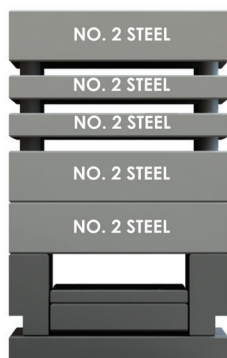
See 'Standard Mold Plates' Chart for available sizes

## STANDARD STEEL TYPES



NO.1 STEEL ASSEMBLY

"A" CLAMPING PLATE  
 "X" PLATE  
 "Y" PLATE  
 "B" PLATE  
 SUPPORT PLATE



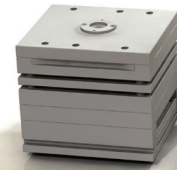
NO.2 STEEL ASSEMBLY

"A" CLAMPING PLATE  
 "X" PLATE  
 "Y" PLATE  
 "B" PLATE  
 SUPPORT PLATE



NO.3 STEEL ASSEMBLY

"A" CLAMPING PLATE  
 "X" PLATE  
 "Y" PLATE  
 "B" PLATE  
 SUPPORT PLATE

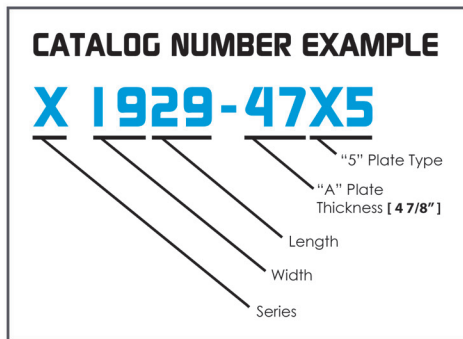
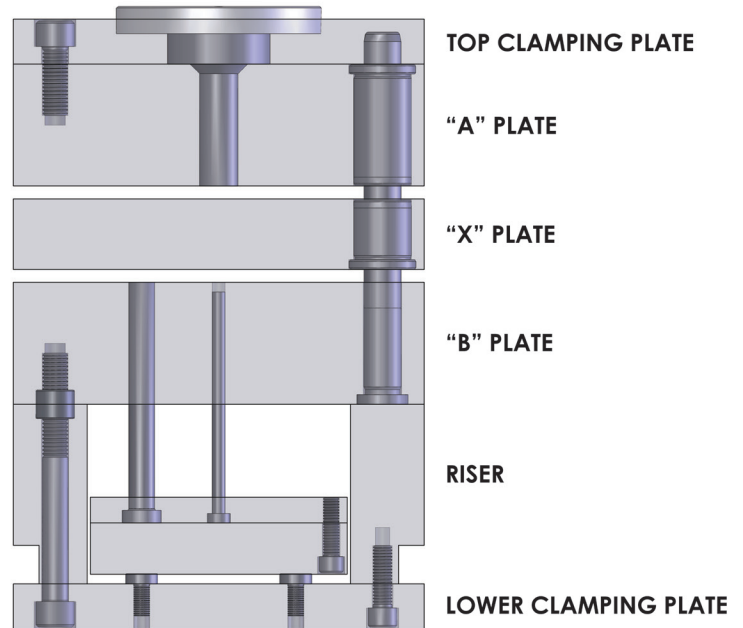


# X SERIES - 5 PLATE MOLD BASES

The "X-5" Series Mold Bases feature a Stripper Plate ("X") located between the "A" and "B" Plates, but without a support plate. With the pins in the "B" Plate, the "X" Plate will remain with the moveable side.

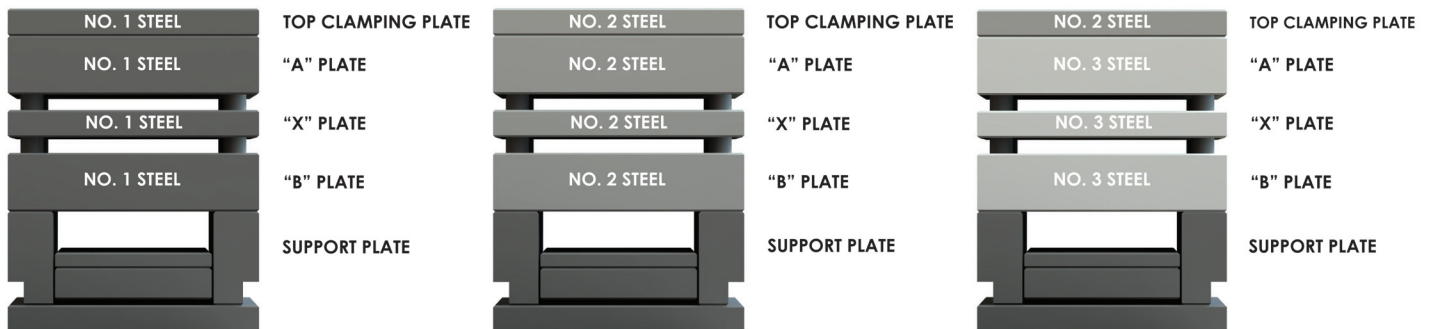
**WHEN ORDERING PLEASE SPECIFY:**

1. Quantity and Catalog Number
2. Steel Type
3. Locating Ring Catalog Number
4. C, E, O, R Dimensions
5. "X" Plate Thickness
6. Top Clamp Plate Thickness and Slot Method
7. Inboard or Outboard Return Pin Location



See 'Standard Mold Plates' Chart for available sizes

## STANDARD STEEL TYPES

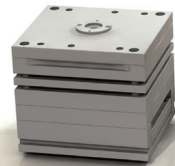


**NO.1 STEEL ASSEMBLY**

**NO.2 STEEL ASSEMBLY**

**NO.3 STEEL ASSEMBLY**



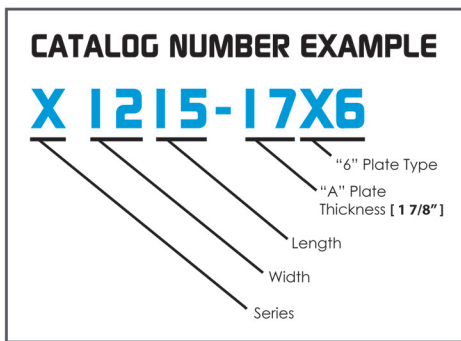


# X SERIES - 6 PLATE MOLD BASES

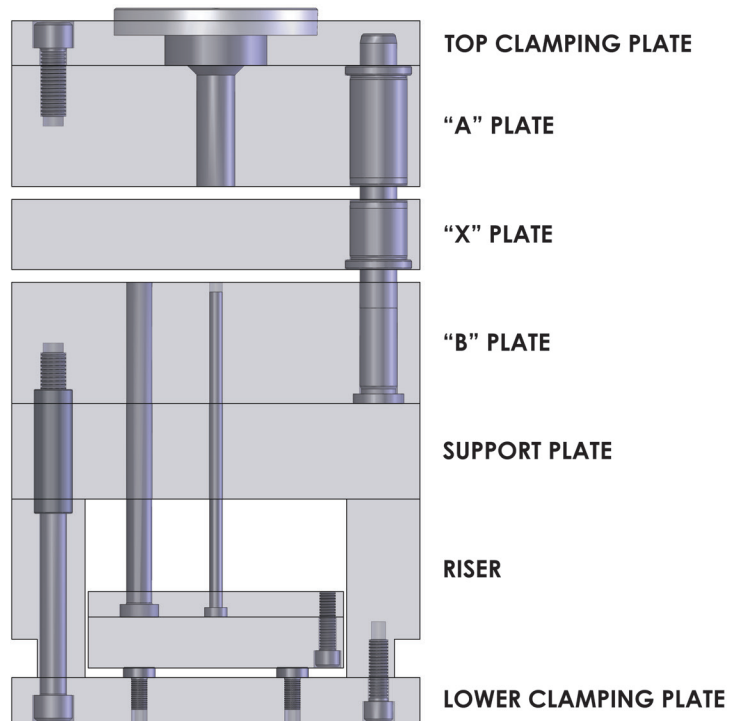
The "X-6" Series Mold Bases feature a Stripper Plate ("X") located between the "A" and "B" Plates. With the pins in the "B" Plate, the "X" Plate will remain with the moveable side.

**WHEN ORDERING PLEASE SPECIFY:**

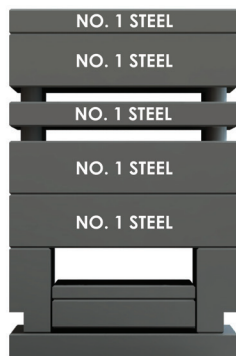
1. Quantity and Catalog Number
2. Steel Type
3. Locating Ring Catalog Number
4. C, E, O, R Dimensions
5. "X" Plate Thickness
6. Top Clamp Plate Thickness and Slot Method
7. Inboard or Outboard Return Pin Location



See 'Standard Mold Plates' Chart for available sizes



## STANDARD STEEL TYPES



NO.1 STEEL ASSEMBLY



NO.2 STEEL ASSEMBLY



NO.3 STEEL ASSEMBLY



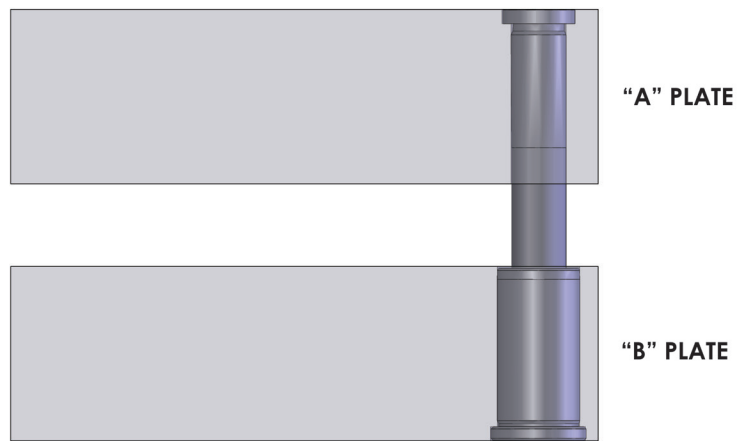
# CAVITY RETAINER SETS

## CAVITY RETAINER SETS

These Sets are ideal as replacements for other Cavities and Core Plates on your existing molds. Apply them also when you are constructing your own mold bases - whether for compression or injection molding, or die casting dies.

### WHEN ORDERING PLEASE SPECIFY:

1. Quantity and Catalog Number
2. Steel Type
3. Leader Pin Length

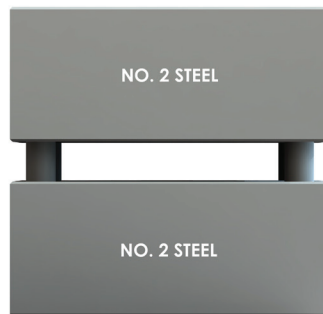


See 'Standard Mold Plates' Chart for available sizes

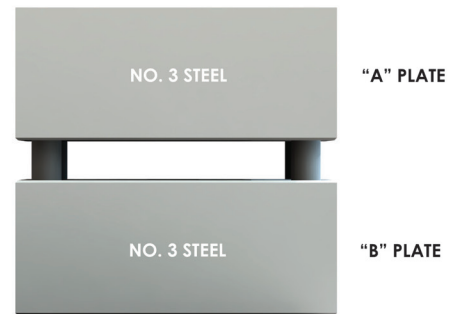
## STANDARD STEEL TYPES



**NO.1 STEEL ASSEMBLY**



**NO.2 STEEL ASSEMBLY**



**NO.3 STEEL ASSEMBLY**





# STANDARD STEEL TYPES

## SUPERIOR NO. 1 STEEL

A modified A36 steel with a restricted carbon range that is centered on 1020. It is a hot-rolled mild steel with greater tensile strength than typical low carbon warehouse steels. It has consistent machinability permitting economic stock removal.

### COMPOSITION NO. 1 STEEL

C	.18/.24
Mn	.60/.90
P	.04 Max.
S	.05 Max.

## SUPERIOR FORTAL® ALUMINUM



This exclusive 7000 series aluminum alloy offers high strength, light weight, and exceptional machinability. Low residual stress and modulus of elasticity prevents premature deformation. Its uniform cross-section is harder than No.1 steel. The thermal conductivity being greater than steel along with excellent polishing characteristics, makes Fortal a good choice for plastic mold use.

### COMPOSITION FORTAL®

Cu	1.6
Mg	2.5
Cr	.23
Zn	5.6
Al	90.07

### OTHER METALS

Superior supplies products in other metals on special order with a variety of machining options. Non-stock materials may require extra lead time.

## SUPERIOR NO. 2 STEEL

An AISI 4130 alloy steel that is supplied heat treated to 300 Bhn (262-321). This holder block quality type of steel has an optimum balance between machinability and hardness while possessing excellent qualities for retainer and back up plate applications.

### COMPOSITION NO. 2 STEEL

C	.27/.33 (.29 Typ.)
Mn	.90/1.30 (1.15 Typ.)
P	.035 Max.
S	.040 Max.
Cr	.60/.90 (.75 Typ.)
Moly	.15/.25 (.20 Typ.)
Si	.15/.40 (.28 Typ.)
V	.02Min. (.04 Typ.)

## SUPERPLAST® STAINLESS STEEL



Superplast® SP Stainless (420 F Mod.) is a new 290-330 Bhn prehardened free machining mold steel. It has been specially designed for plastic mold bases, holders and unetched/unpolished inserts and dies. Superplast® offers improved machinability, consistency and weldability. Moreover, the special chemistry, based on low Carbon and 12% Chromium content, confers to the steel a good corrosion resistance to different media. Superplast® Stainless is not designed for highly polished or textured surfaces.

### COMPOSITION SUPERPLAST®

C	0.07
S - Max	0.15
Si	0.10
Cr	12.0

## SUPERIOR NO. 3 STEEL

A premium AISI 4130 alloy steel with reduced sulfur for cleanliness and excellent polishing ability. Supplied at 300 Bhn (262-321), this P20 type steel offers consistent machinability while maintaining superb mechanical properties.

### COMPOSITION NO. 3 STEEL

C	.24/.35 (.29 Typ.)
Mn	.75/1.00 (.90 Typ.)
P	.025 Max.
S	.010 Max.
Cr	.90/1.20 (1.05 Typ.)
Moly	.45/.65 (.55 Typ.)
Si	.15/.40 (.28 Typ.)
V	.04Min. (.06 Typ.)

## TOOLOX® 44



A low carbon premium alloy steel designed to have high impact strength (Charpy tested @ 20 ft lbs) and low residual stresses and therefore good dimensional stability. At 45 HRC, this steel can be readily machined compared to steels of like hardness. Toolox 44 is formulated to ERS properties and can be polished to a LENS quality finish.

### COMPOSITION TOOLOX® 44

C	0.31
Mn	0.90
S, max	.003
Cr	1.35
Moly	.80
Si	.60
V	.145
Ni	.70



**CURRENT STOCK**  
 For current stock plate inventory,  
 see website: [www.superiordieset.com](http://www.superiordieset.com)

**SUPERIOR STANDARD MOLD PLATES**

Part No. Catalog Size	MOLD BASE Actual Size		MOLD PLATE THICKNESS (ie. Top, A, B, X Plates ...)								
	W	L	7/8" 07	1 3/8" 13	1 7/8" 17	2 3/8" 23	2 7/8" 27	3 3/8" 33	3 7/8" 37	4 7/8" 47	5 7/8" 57
0808	7 7/8	7 7/8	1 2	1 2	1 2 3 F	1 2 3 F	1 2 3 F				
0812	7 7/8	11 7/8	1 2	1 2	1 2 3 F	1 2 3 F	1 2 3 F				
1008	9 7/8	8	1 2	1 2	1 2	1 2	1 2				
1012	9 7/8	11 7/8	1 2	1 2	1 2	1 2 3 F	1 2 3 F	3 F	3 F		
1016	9 7/8	16	1 2	1 2	1 2	1 2	1 2				
1020	9 7/8	20	1 2	1 2	1 2	1 2	1 2				
1112	10 7/8	12	1 2	1 2	1 2	1 2	1 2				
1114	10 7/8	14	1 2	1 2	1 2	1 2 3 F	1 2 3 F	3 F	3 F		
1118	10 7/8	18	1 2	1 2	1 2	1 2	1 2				
1123	10 7/8	23 1/2	1 2	1 2	1 2	1 2	1 2				
1212	11 7/8	12	1 2	1 2	1 2	1 2	1 2 3 F	3 F	3 F		
1215	11 7/8	15	1 2	1 2	1 2	1 2	1 2				
1220	11 7/8	20	1 2	1 2	1 2	1 2	1 2				
1223	11 7/8	23 1/2	1 2	1 2	1 2	1 2	1 2				
1315	13 3/8	15	1 2	1 2	1 2	1 2	1 2 3 F	3 F	3 F		
1318	13 3/8	18	1 2	1 2	1 2	1 2	1 2 3 F	3 F	3 F	3 F	
1321	13 3/8	20 3/4	1 2	1 2	1 2	1 2	1 2				
1323	13 3/8	23 1/2	1 2	1 2	1 2	1 2	1 2				
1326	13 3/8	26									
1329	13 3/8	29 1/2									
1518	14 7/8	17 7/8	1	2		2					
1524	14 7/8	23 3/4	1	2		2					
1529	14 7/8	29 1/2									
1616	15 7/8	16	1	2		2	3 F	3 F	3 F	3 F	
1620	15 7/8	20	1	2	2	2	2				
1623	15 7/8	23 1/2	1	2		2					
1626	15 7/8	26									
1629	15 7/8	29 1/2									
1635	15 7/8	35 1/2									
1724	16 1/2	23 3/4									
1729	16 1/2	29 1/2									
1818	17 7/8	18	1	2		2					
1820	17 7/8	20	1	2	2	2	2				
1823	17 7/8	23 1/2	1	2		2		3 F	3 F	3 F	
1826	17 7/8	26									
1829	17 7/8	29 1/2									
1835	17 7/8	35 1/2									
1924	19 1/2	23 3/4	1	2	2	2		3 F	3 F	3 F	
1929	19 1/2	29 1/2									
1935	19 1/2	35 1/2									
2424	23 3/4	23 3/4		1 2		2	3 F	3 F	3 F	3 F	
2429	23 3/4	29 1/2									
2435	23 3/4	35 1/2									

Blanchard Thickness +.010/+ .020 Edge Milled +/- .002

1 = 1020 STEEL 2 = 4130 HOLDER BLOCK 3 = 4130 P-20 F = FORTAL® ALUMINUM

Steel type indicated for BE FAST size in stock. If not shown can be made to order. May require special lead time.



**CURRENT STOCK**  
 For current stock plate inventory,  
 see website: [www.superiordieset.com](http://www.superiordieset.com)

**SUPERIOR STANDARD MOLD PLATES**

Part No. Catalog Size	PLATE THK	RISER "C" HEIGHT					PLATE WIDTH	RETAINER THICKNESS		EJECTOR THICKNESS	
		2.500	3.000	3.500	4.000	4.500		0.500	0.625	1.000	1.125
0808	1.250	1	1	1	1	1	5.250	1		1	
0812	1.250	1	1	1	1	1	5.250	1		1	
1008	1.438	1	1	1	1	1	6.875	1		1	
1012	1.438	1	1	1	1	1	6.875	1		1	
1016	1.438	1	1	1	1	1	6.875	1		1	
1020	1.438	1	1	1	1	1	6.875	1		1	
1112	1.688	1	1	1	1	1	7.375	1		1	
1114	1.688	1	1	1	1	1	7.375	1		1	
1118	1.688	1	1	1	1	1	7.375	1		1	
1123	1.688	1	1	1	1	1	7.375	1		1	
1212	1.688		1	1	1	1	8.375	1			1
1215	1.688		1	1	1	1	8.375	1			1
1220	1.688		1	1	1	1	8.375	1			1
1223	1.688		1	1	1	1	8.375	1			1
1315	1.875		1	1	1	1	9.500		1		1
1318	1.875		1	1	1	1	9.500		1		1
1321	1.875		1	1	1	1	9.500		1		1
1323	1.875		1	1	1	1	9.500		1		1
1326	1.875						9.500				
1329	1.875						9.500				
1518	1.875			1	1	1	11.000		1		1
1524	1.875			1	1	1	11.000		1		1
1529	1.875						11.000				
1616	1.875			1	1	1	12.000		1		1
1620	1.875		1	1	1	1	12.000		1		1
1623	1.875			1	1	1	12.000		1		1
1626	1.875						12.000				
1629	1.875						12.000				
1635	1.875						12.000				
1724	1.875						12.625				
1729	1.875						12.625				
1818	1.875			1	1	1	14.000		1		1
1820	1.875		1	1	1	1	14.000		1		1
1823	1.875			1	1	1	14.000		1		1
1826	1.875						14.000				
1829	1.875						14.000				
1835	1.875						14.000				
1924	1.875		1	1	1	1	15.625		1		1
1929	1.875						15.625				
1935	1.875						15.625				
2424	1.875			1	1	1	19.875		1		1
2429	1.875						19.875				
2435	1.875						19.875				

Blanchard Thickness +.010/+ .020      Edge Milled +/- .002      Ejector/Retainer L x W to size  
**1 = 1020 STEEL    2 = 4130 HOLDER BLOCK    3 = 4130 P-20    F = FORTAL® ALUMINUM**

Steel type indicated for BE FAST size in stock. If not shown can be made to order. May require special lead time.



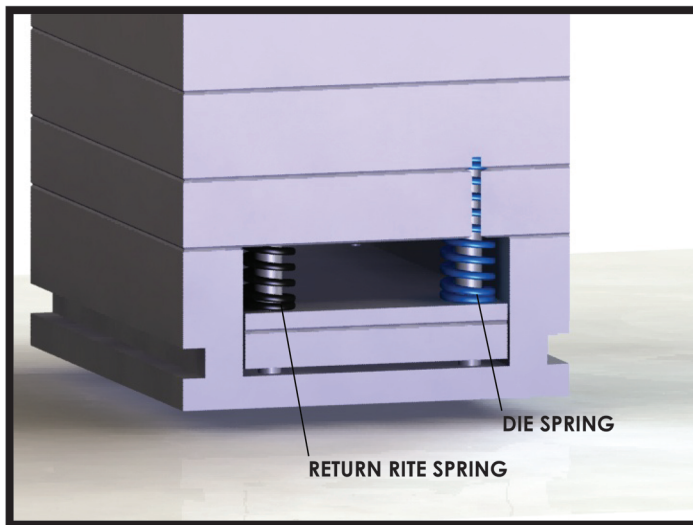
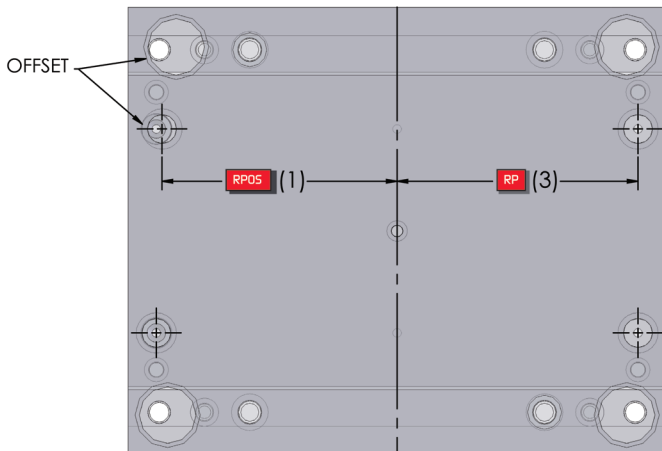
# RETURN PINS - OUTBOARD

Superior offers two RETURN PIN locations to best suit your mold design requirements. Both locations are considered 'standard' at Superior Die Set and will not affect the price or lead time of the mold base.

Location 'Outboard' puts the pins in the traditional location which offers you the maximum work area inside the mold base. However, when using 'die springs' these locations will cause a break out where the spring pocket meets the outside edge of the mold base. This can be simply solved by using Return Rite™ springs which requires a smaller spring pocket hole and eliminates the break out (see note below).

Special return pin locations are also available upon request.

RETURN PIN POSITION



RETURN PIN LOCATIONS

MOLD BASE SIZE (CATALOG NO.)	PIN LOCATION - X DIMENSION	
	OUTBOARD (TRADITIONAL) RP 3 - PL	RPOS 1- PL
0808 *	3.3750	3.2500
0812 *	5.3750	5.2500
1008	3.3750	3.2500
1012	5.3125	5.1875
1016	7.3750	7.2500
1020	9.3750	9.2500
1112	5.3750	5.2500
1114	6.3750	6.2500
1118	8.3750	8.2500
1123	11.1250	11.0000
1212	5.3750	5.2500
1215	6.8750	6.7500
1220	9.3750	9.2500
1223	11.1250	11.0000
1315	6.8750	6.7500
1318	8.3750	8.2500
1321	9.6250	9.5000
1323	11.0000	10.8750
1326	12.2500	12.1250
1329	14.0000	13.8750
1518	8.2500	8.1250
1524	11.1250	11.0000
1529	14.0000	13.8750
1616	7.2500	7.1250
1620	9.2500	9.1250
1623	11.0000	10.8750
1626	12.2500	12.1250
1629	14.0000	13.8750
1635	17.0000	16.8750
1724	11.1250	11.0000
1729	14.0000	13.8750
1818	8.2500	8.1250
1820	9.2500	9.1250
1823	11.0000	10.8750
1826	12.2500	12.1250
1829	14.0000	13.8750
1835	17.0000	16.8750
1924	11.1250	11.0000
1929	14.0000	13.8750
1935	17.0000	16.8750
2424	11.1250	11.0000
2429	14.0000	13.8750
2435	17.0000	16.8750

NOTE: \* Spring break-out will still occur with Return Rite springs on these two mold base sizes due to extreme outboard pin locations.

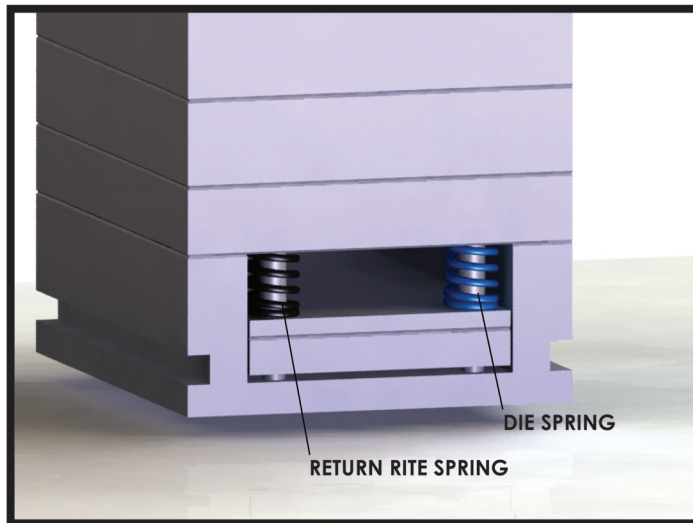
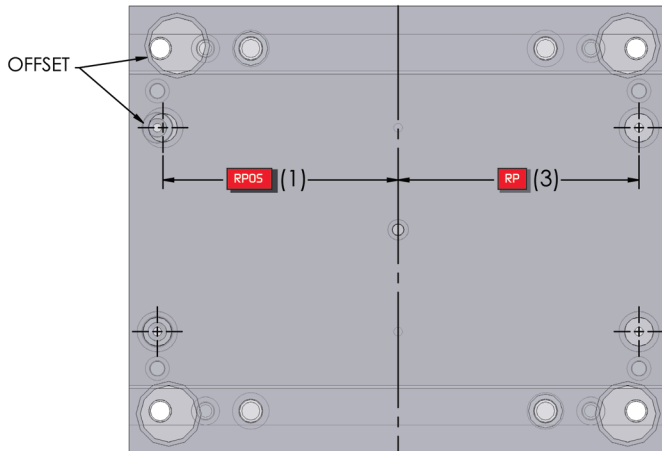
# RETURN PINS - INBOARD

Superior offers two RETURN PIN locations to best suit your mold design requirements. Both locations are considered 'standard' at Superior Die Set and will not affect the price or lead time of the mold base.

Location 'Inboard' puts the pins inward from the traditional locations so that spring pocket holes will not break out when using die springs. Return Rite™ springs can also be used in these locations to increase work area in the mold base. For more information regarding Return Rite springs, see our Component section.

Special return pin locations are also available upon request.

RETURN PIN POSITION

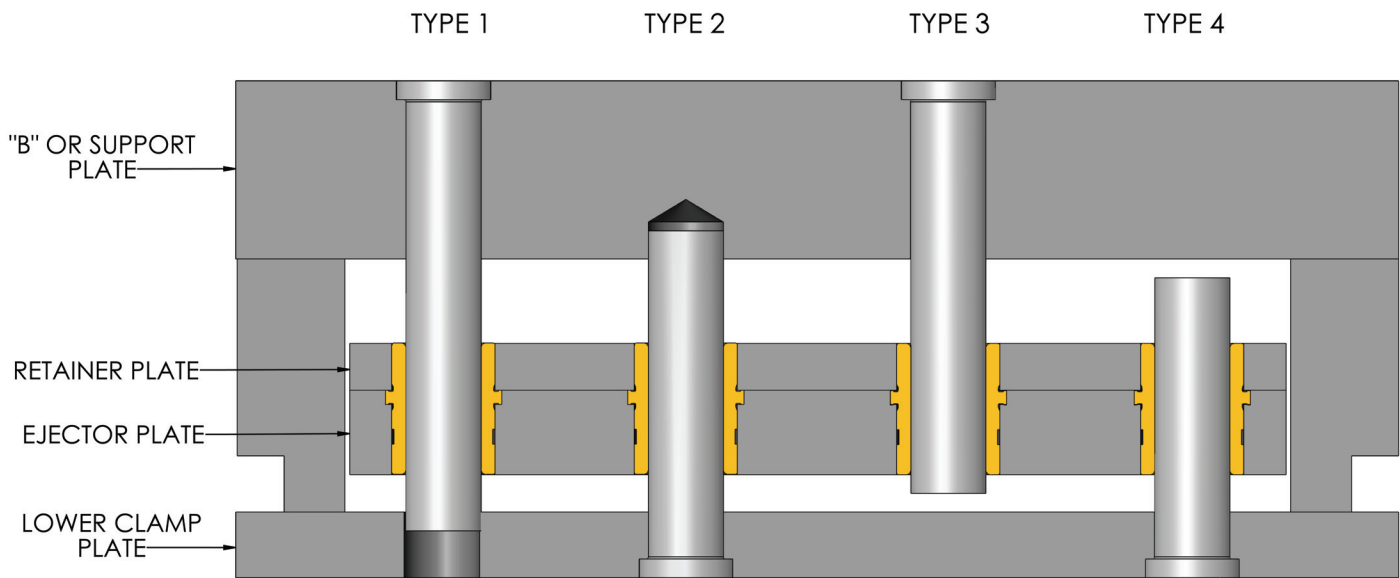


RETURN PIN LOCATIONS

MOLD BASE SIZE (CATALOG NO.)	PIN LOCATION - X DIMENSION INBOARD	
	RP 3 - PL	RPOS 1 - PL
0808	3.3125	3.1875
0812	5.3125	5.1875
1008	3.2500	3.1250
1012	5.1875	5.0625
1016	7.2500	7.1250
1020	9.2500	9.1250
1112	5.2500	5.1250
1114	6.2500	6.1250
1118	8.2500	8.1250
1123	11.0000	10.8750
1212	5.1250	5.0000
1215	6.6250	6.5000
1220	9.1250	9.0000
1223	10.8750	10.7500
1315	6.7500	6.6250
1318	8.1250	8.0000
1321	9.5000	9.3750
1323	10.8750	10.7500
1326	12.1250	12.0000
1329	13.8750	13.7500
1518	8.0625	7.9375
1524	11.0000	10.8750
1529	13.8750	13.7500
1616	7.1250	7.0000
1620	9.1250	9.0000
1623	10.8750	10.7500
1626	12.1250	12.0000
1629	13.8750	13.7500
1635	16.8750	16.7500
1724	11.0000	10.8750
1729	13.8750	13.7500
1818	8.1250	8.0000
1820	9.1250	9.0000
1823	10.8750	10.7500
1826	12.1250	12.0000
1829	13.8750	13.7500
1835	16.8750	16.7500
1924	11.0000	10.8750
1929	13.8750	13.7500
1935	16.8750	16.7500
2424	11.0000	10.8750
2429	13.8750	13.7500
2435	16.8750	16.7500

# GUIDED EJECTOR SYSTEM - TYPES

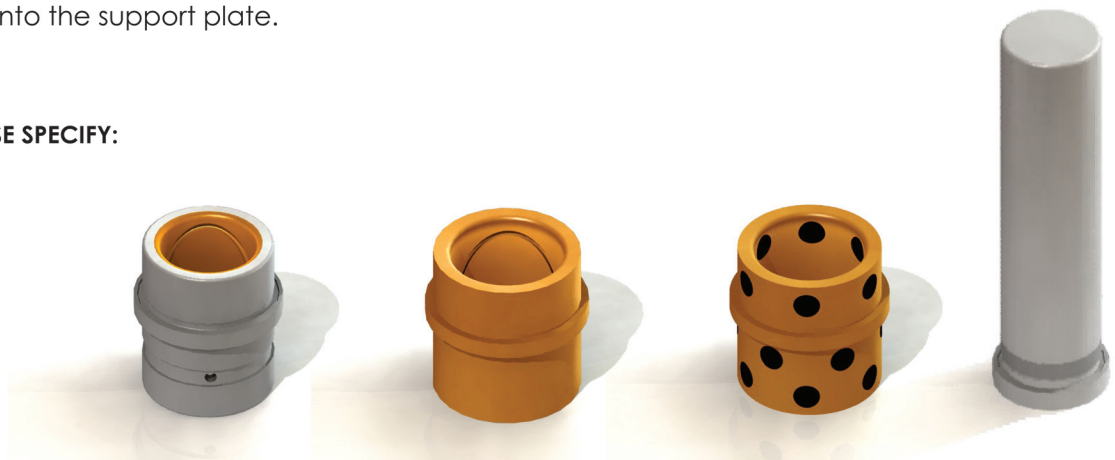
To help align and support ejector plate assemblies during the molding operation, install a Superior Guided Ejector System to all of your mold bases. These systems help eliminate ejector system wear by the use of a leader pin and bushing in the ejector housing. With optional pin installation methods shown below, the bushing is slip-fit in retainer plate and a press-fit in the ejector plate. The locations can be customized to your design or machined to our standard coordinates.



Superior Guided Ejector Systems come with our Bronze Rite™ bushings, which are through-hardened steel with a heavy lining of bronze for maximum lubricity. Or, choose from solid bronze or self lubricating bushing types. Our pins are especially designed with a low profile press-fit not to extend past the lower clamp plate, and only a small radius on the end for positive locating into the support plate.

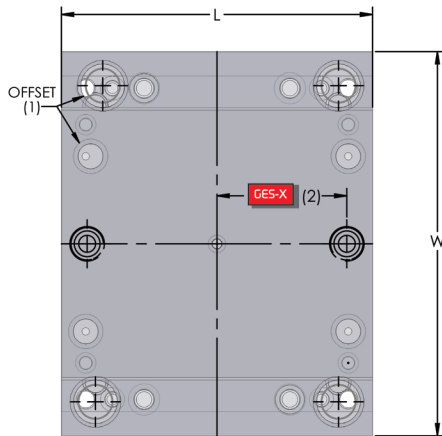
**WHEN ORDERING PLEASE SPECIFY:**

1. System Type
2. Pin Diameter
3. Pin Location
4. Bushing Type
5. Quantity

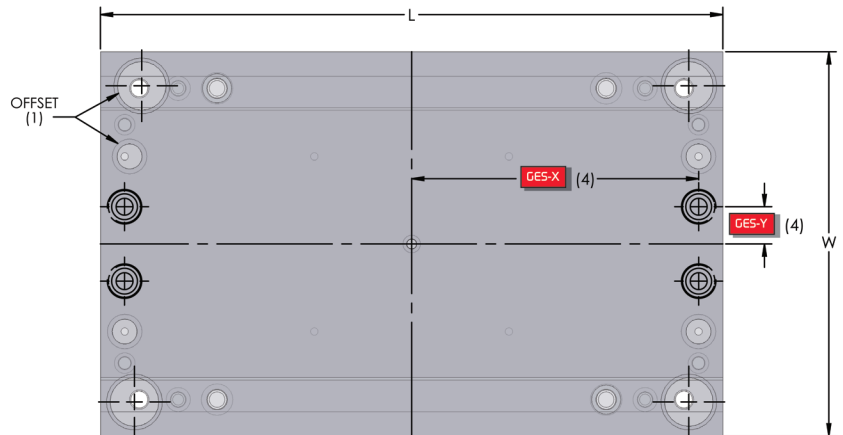




# GUIDED EJECTOR SYSTEM - LOCATIONS



"B" PLAN  
FOR 0808, 0812 & 1008  
MOLD BASE SIZE ONLY



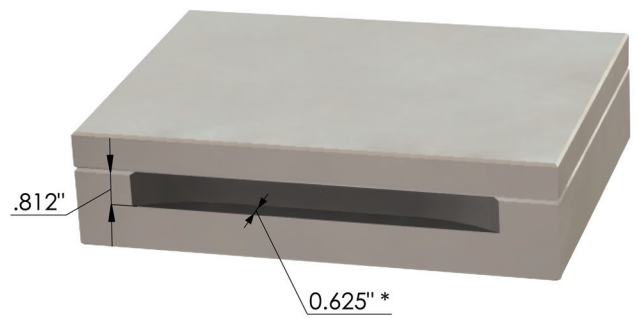
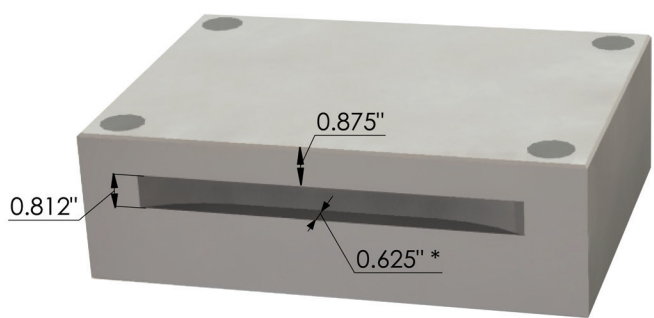
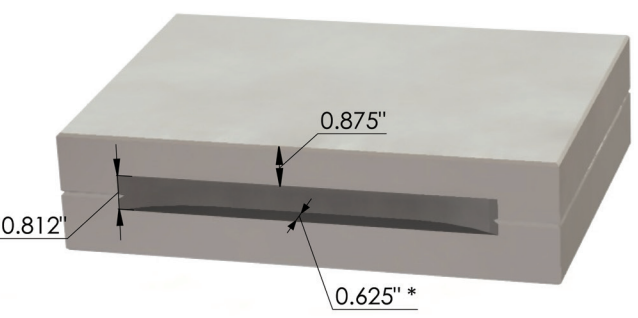
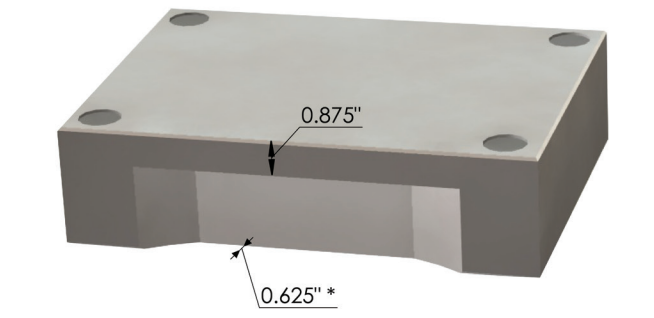
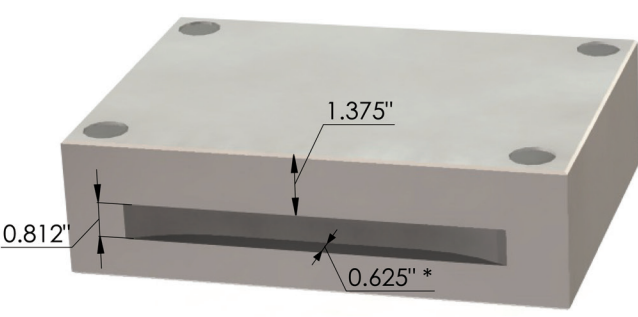
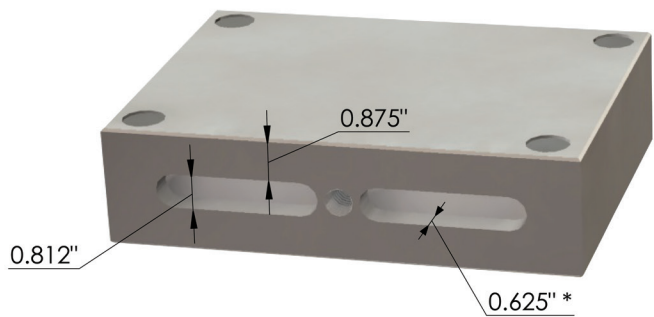
"B" PLAN  
FOR 1012 - 2435  
MOLD BASES

## GUIDED EJECTOR SYSTEM LOCATIONS

MOLD BASE SIZE (Catalog No.)	PIN DIAMETER (Typically Used)	PIN LOCATION	
		GES-X	GES-Y
0808	3/4"	3.0000	Centered
0812	3/4"	5.0000	Centered
1008	3/4"	3.0625	Centered
1012	3/4"	5.0000	1.0000
1016	3/4"	7.0625	1.0000
1020	3/4"	9.0625	1.0000
1112	3/4"	5.0625	1.6250
1114	3/4"	6.0625	1.6250
1118	3/4"	8.0625	1.6250
1123	3/4"	10.8125	1.6250
1212	7/8"	5.0000	1.7500
1215	7/8"	6.5000	1.7500
1220	7/8"	9.0000	1.7500
1223	7/8"	10.7500	1.7500
1315	7/8"	6.5000	2.3750
1318	7/8"	8.0000	2.3750
1321	7/8"	9.3750	2.3750
1323	7/8"	10.7500	2.3750
1326	7/8"	12.0000	2.3750
1329	7/8"	13.7500	2.3750
1518	1"	7.8750	2.3750
1524	1"	10.8125	2.3750

MOLD BASE SIZE (Catalog No.)	PIN DIAMETER (Typically Used)	PIN LOCATION	
		GES-X	GES-Y
1529	1"	13.6875	2.3750
1616	1"	6.9375	2.8750
1620	1"	8.9375	2.8750
1623	1"	10.6875	2.8750
1626	1"	11.9375	2.8750
1629	1"	13.6875	2.8750
1635	1"	16.6875	2.8750
1724	1"	10.8125	3.1250
1729	1"	13.6875	3.1250
1818	1"	7.9375	3.8750
1820	1"	8.9375	3.8750
1823	1"	10.6875	3.8750
1826	1"	11.9375	3.8750
1829	1"	13.6875	3.8750
1835	1"	16.6875	3.8750
1924	1"	10.8125	4.6250
1929	1"	13.6875	4.6250
1935	1"	16.6875	4.6250
2424	1 1/4"	10.6875	6.1250
2429	1 1/4"	13.5625	6.1250
2435	1 1/4"	16.5625	6.1250

# CLAMPING SLOTS

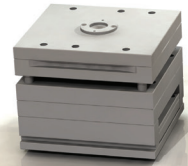
 <p><b>METHOD "A"</b> STANDARD FOR 7/8 OR 1 3/8 THICK CLAMP PLATES</p>	 <p><b>METHOD "B"</b> FOR 2 3/8 OR THICKER CLAMP PLATES</p>
 <p><b>METHOD "C"</b> AVAILABLE UPON REQUEST</p>	 <p><b>METHOD "D"</b> AVAILABLE UPON REQUEST</p>
 <p><b>METHOD "E"</b> FOR 2 3/8 OR THICKER CLAMP PLATES</p>	 <p><b>OPTION "H"</b> STANDARD WHEN EYEBOLT HOLES PRESENT</p>

\* .500 for Mold Bases 7.875" wide

**Available Upon Request:** Slots machined through plate length and slots on all four Mold Base sides.

**For Lower Clamping Slot:** Add "R" suffix to desired slot method shown (ie. AR,CR etc.).





## BE FAST™ IN YOUR SELECTION!



### IMMEDIATE SHIP KIT™

- FORTAL® aluminum, #2, #3 (P20) steel plates
- #1 steel ejector housing plates
- Ground plates with 0.010 inches finishing stock
- All components, including leader pins, bushings, locating ring, sprue bushing, sprue puller pin, return pins and hardware
- Options: guided ejector components, support pillars, Return-Rite™ springs and more

### EXPRESS BASE™

- Complete mold base assembly
- Be Fast™ and Cavity Retainer Sets in FORTAL® aluminum, #2, #3 (P20) steel plates
- With or without center holes
- Relocated components



### QUICK CUSTOM™ BASES

- Rough pocket machining
- Eye-bolt (handling) holes
- Water lines
- Guided ejector system
- Support pillars
- Return spring pockets
- Pry slots

### CAVITY RETAINER SETS

- A and B cavity retainer plates in FORTAL® aluminum, #2, #3 (P20) steel plates
- Leader Pins and bushing components
- Shipped in Immediate Ship Kits™ or as Express Base™ assemblies







900 West Drexel Avenue  
Oak Creek, WI 53154

(800) 558-6040  
FAX (800) 657-0855

[www.superiordieset.com](http://www.superiordieset.com)  
[messages@superiordieset.com](mailto:messages@superiordieset.com)

copyright © 2014 Superior Die Set Corp.  
Form-DEV1.6-MBS-1114